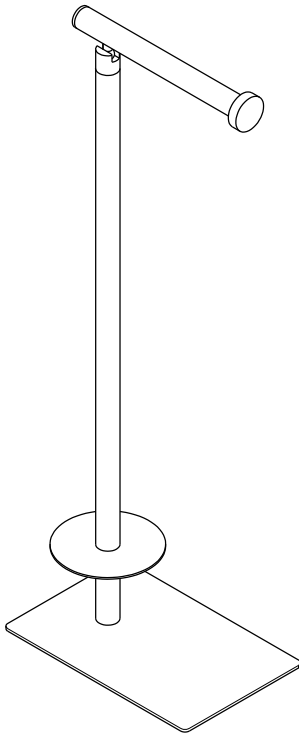
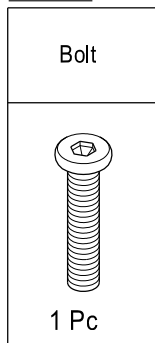


# Freestanding Toilet Roll Holder Installation



## Parts:

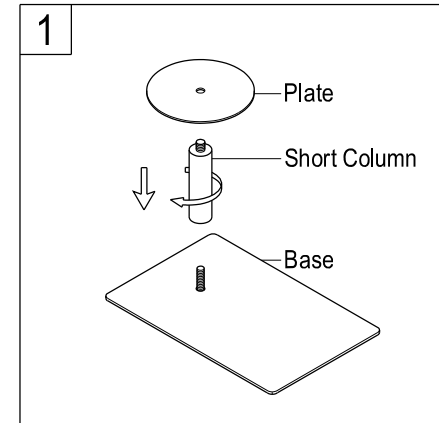


www.kingstonbrass.com  
TOLL-FREE CUSTOMER SERVICE: 1-877-2-KBRASS  
TECHNICAL SUPPORT E-mail: service@kingstonbrass.com  
12775 Reservoir Street, Chino, CA91710

## TOOLS REQUIRED

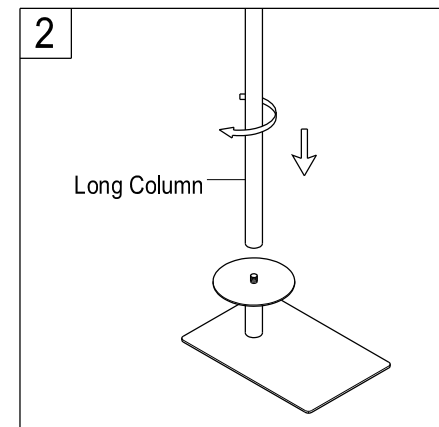


1



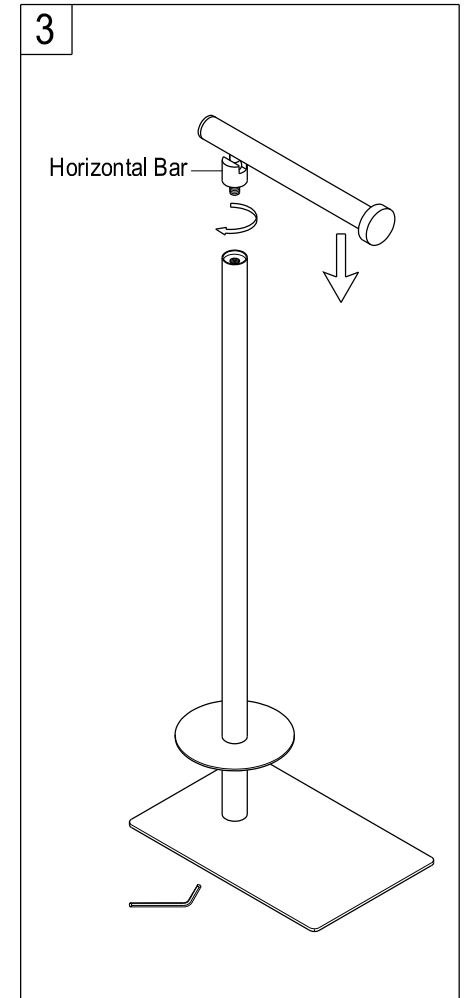
1. Insert screw through bottom base plate and thread to the short column, insert small round plate making sure that finished side is facing up.

2



2. Thread long column into short column screw as it protrudes from round base plate.

3



3. Thread top horizontal bar, adjust the orientation of the horizontal bar and re-tighten bottom screw using Allen wrench.

## Cleaning

Clean with a damp cloth only.  
Avoid using metal or abrasive polishes.